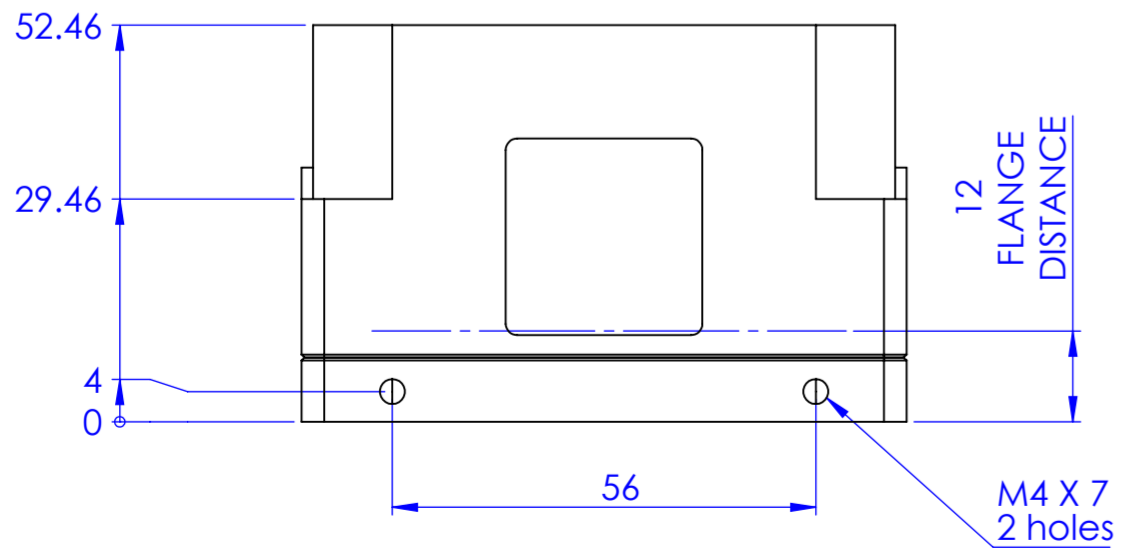
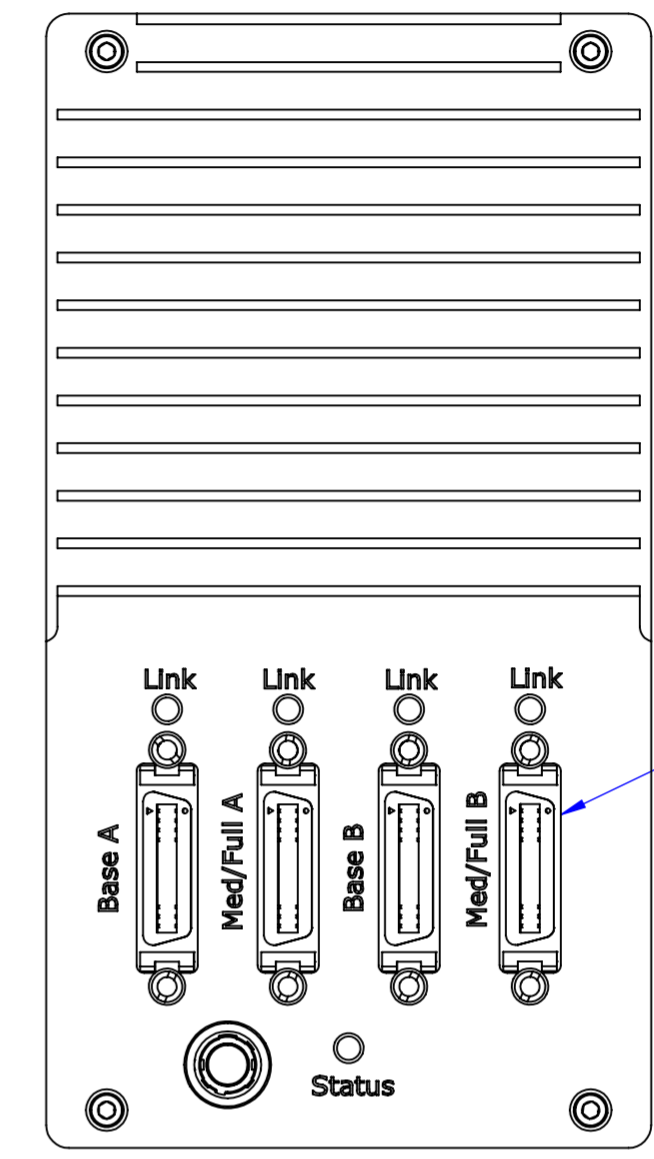
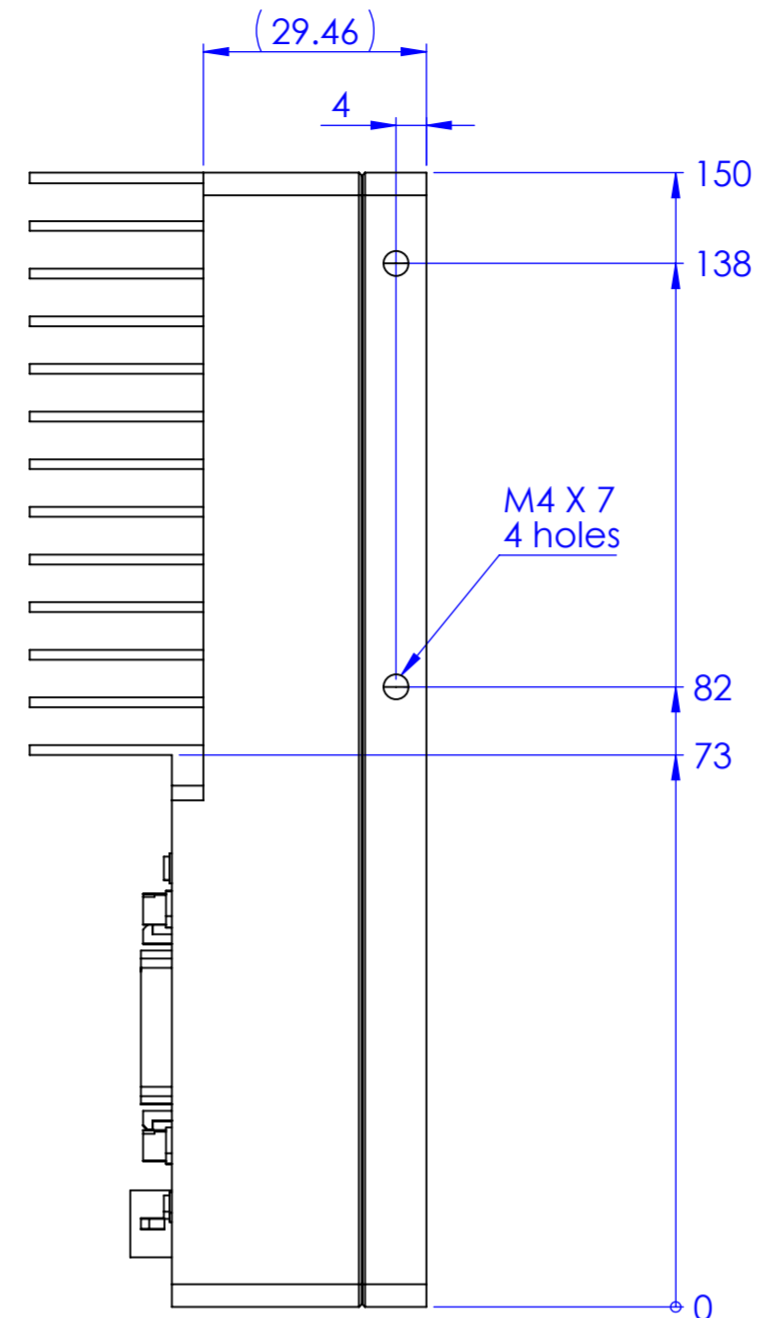
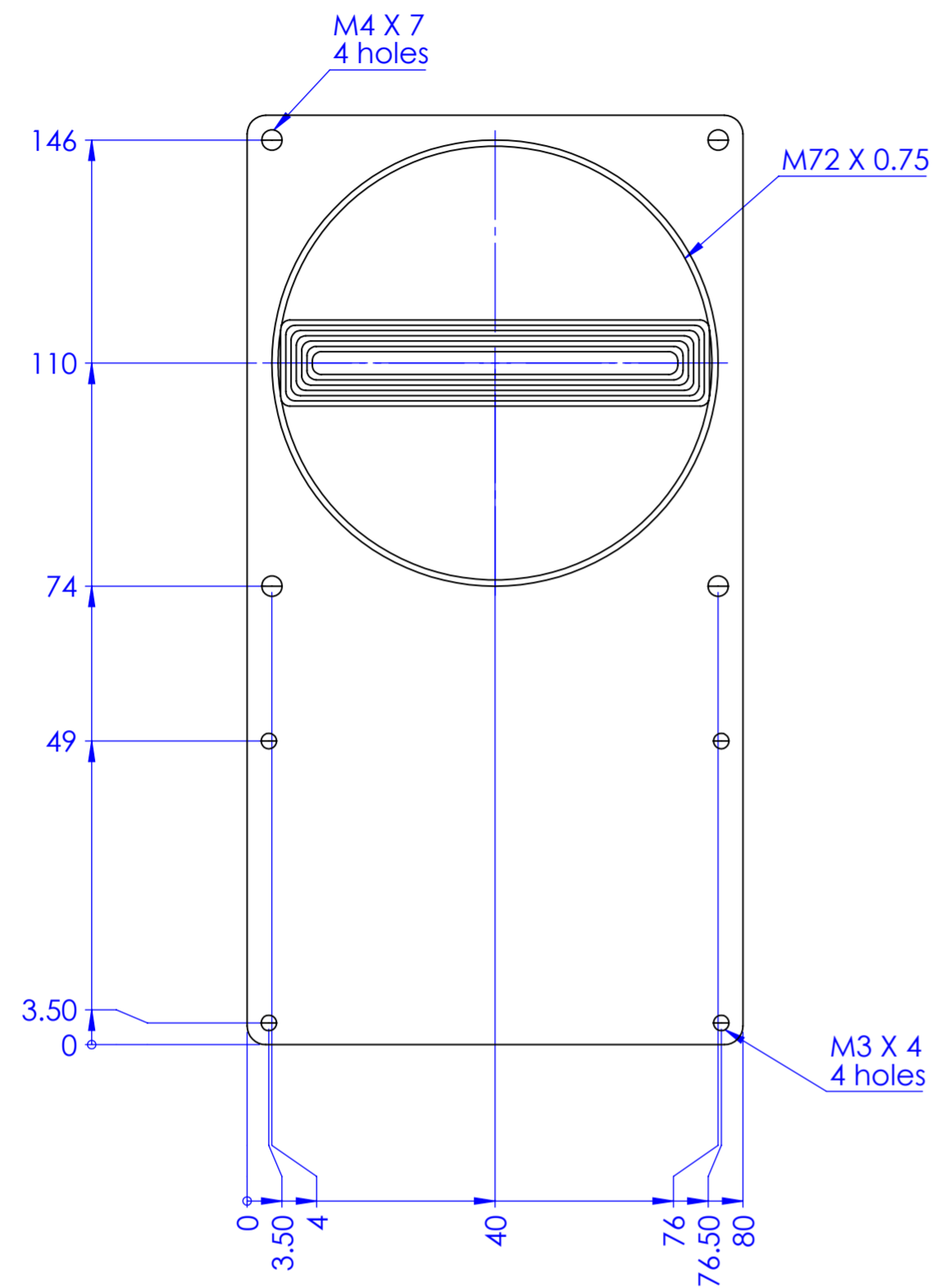


FOR MISSING DIMENSIONS SEE DW29341-A.STEP

Rev No.	Description	Date	Name



Material Materiale <non specificato>		Mass 0 g		Scale 1:1	
Surface treatment N.A.		Part No. CO29341		Description COE16KLSMCL-G	
Geometrical tolerance (ISO 2768-2)		Class	K	Undimensioned bevels	0.5x45°
Linear tolerance (ISO 2768-2)		Class	m	Undimensioned radii	R 0.5
0.5 +3	>3+ 6	>6+ 30	>30+ 120	>120 +400	>400+ 1000
±0.1	±0.1	±0.2	±0.3	±0.5	±0.8
					±1.2
					±2
		Date	Name	Drawing No.	
		Designed	30/07/2019	Rodella	DP 29341-A
		Drawn	30/07/2019	Rodella	
Checked		31/07/2019	Ccharly	Sheet 1/1	
OPTO ENGINEERING S.r.l. - Mantova Italy - Tel. +39 0376 699111 - www.opto-engineering.com					

Secret and confidential - All rights reserved - No copy, dissemination or circulation is allowed unless specifically authorized in writing by OPTO ENGINEERING S.r.l. - Any violation shall be legally prosecuted.